

# Workbench Range



henchman  
p r o d u c t s

## Workstation Selection

Properly designed and configured workstations are an important element of a lean manufacturing system and can have an impact on reducing waste. Workstations must be easy to reconfigure to handle small batch sizes when needed.

## Leading ergonomic Workstation Design

Many of our projects are designed for our customers unique applications; it starts with a call or an email to our office. Of your freehand sketch we will return your ideas with our drawings and with a quotation in designing our products we incorporate ergonomics, aesthetics, strength and modularity.

## Customized for the Application and your Operator

The purpose of a workstation determines its basic requirements and accessories. The needs and requirements may change considerably from one employee to another, but we understand that no two people are like. When a workstation is equipped for and adjusted to an operator's needs, each phase of the production process can be completed accurately without delay and discomfort.

## Organization is a Sign of Efficiency

Necessary tools and materials must be at the worker's fingertips in order to be efficient.

There is no time lost in looking for parts or tools if the workplace is properly organized for the work performed there. A tool kept in its own place stays in good condition for a long time.

These workplace solutions make it easy to implement lean manufacturing tools such as 5S (sort-set-sustain-shine-standarize).

## Ergonomics improves Satisfaction and Productivity

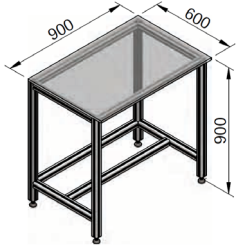
The main objectives of ergonomic design are ensuring employee's health, increasing work satisfaction and improving individual productivity.

This series workstation's ultimate goal is to ensure a relaxed working position where the work movements can follow the individual's natural way of moving.

For more  
Information call us  
on 1800 091 109  
or send an E-Mail to  
[sales@henchman.com.au](mailto:sales@henchman.com.au)

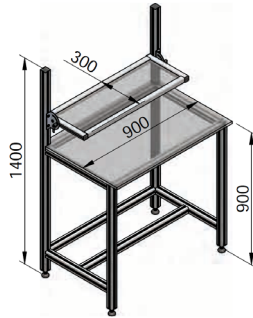


# Benchtop Size 900x600



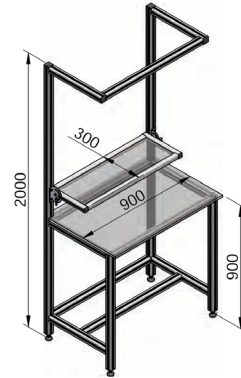
Part No. H100-096:

- Aluminium frame
- Four levelling feet
- Bench top size: 900x600
- 16mm MDF melamine Board, square edge, silver grey



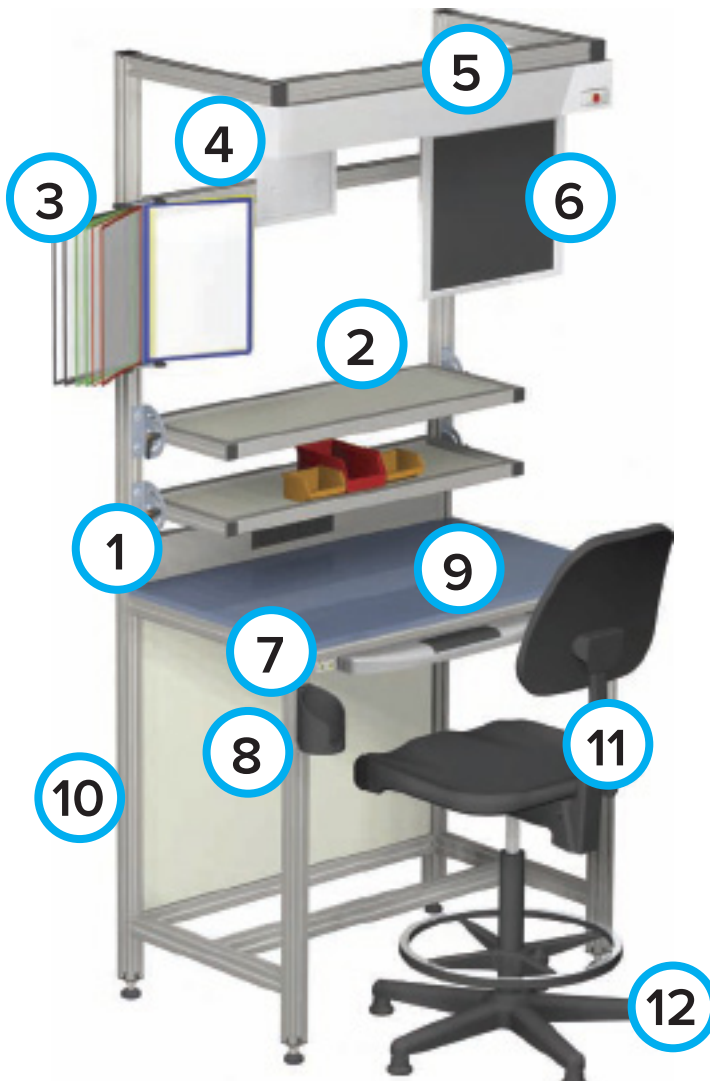
Part No. H200-096:

- Aluminium frame
- Four levelling feet
- Bench top size: 900x600
- 16mm MDF melamine Board, square edged, silver grey
- Adjustable storage shelf



Part No. H400-096:

- Aluminium frame
- Four levelling feet
- Bench top size: 900x600
- 16mm MDF melamine Board, square edged, silver grey
- Adjustable storage shelf
- Overhead tool hanger bar

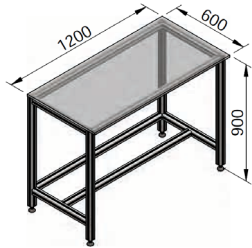


### Accessories:

- 1 Electrical Duct
- 2 Storage Shelf
- 3 10 Pocket Document Holder (A4)
- 4 A4/A3 Instruction Card Holder
- 5 Overhead Light Unit
- 6 Flatscreen Monitor Holder
- 7 ESD Bracket
- 8 Bottle Holder
- 9 Keyboard Drawer
- 10 Back Panel
- 11 Ergonomical Chair
- 12 Ø100mm Wheel Castors

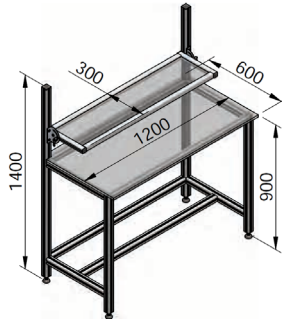
# Benchtop

## Size 1200x600mm



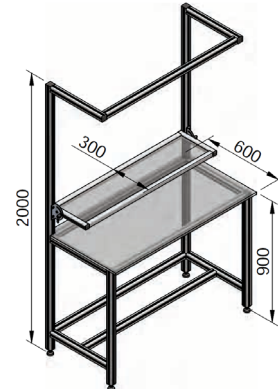
Part No. H100-126:

- Aluminium frame
- Four levelling feet
- Bench top size: 1200x600
- 16mm MDF melamine Board, square edge, silver grey



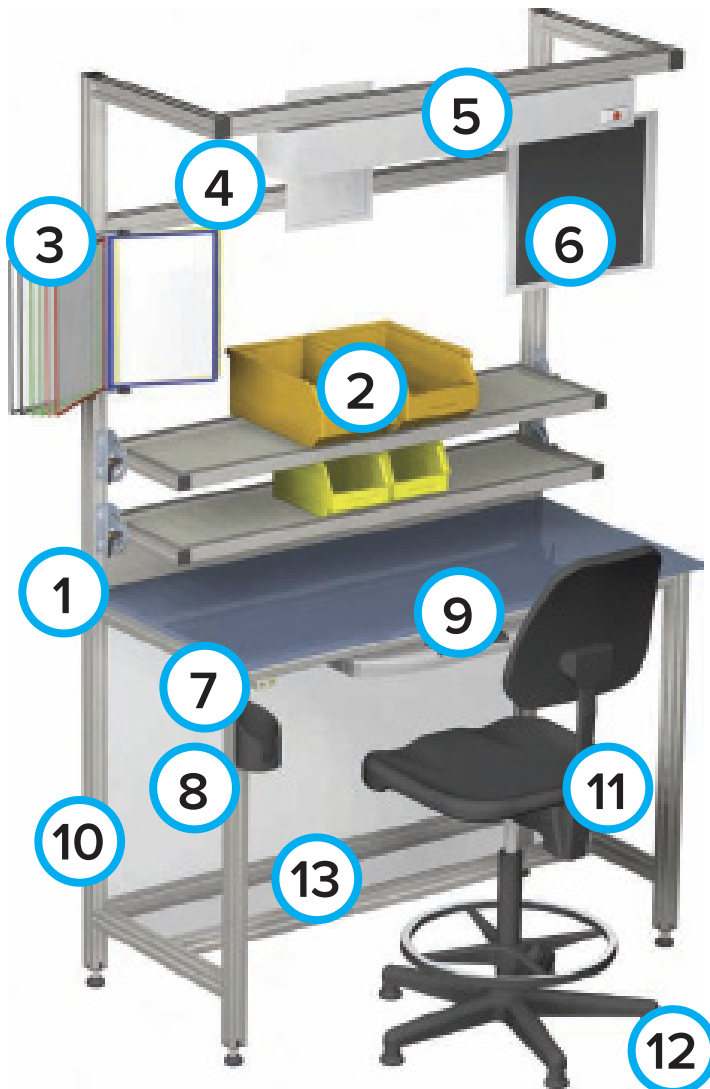
Part No. H200-126:

- Aluminium frame
- Four levelling feet
- Bench top size: 1200x600
- 16mm MDF melamine Board, square edged, silver grey
- Adjustable storage shelf



Part No. H400-126:

- Aluminium frame
- Four levelling feet
- Bench top size: 1200x600
- 16mm MDF melamine Board, square edged, silver grey
- Adjustable storage shelf
- Overhead tool hanger bar

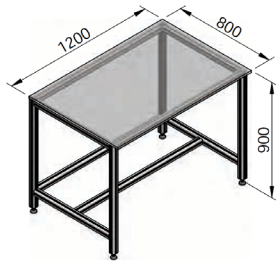


### Accessories:

- 1 Electrical Duct
- 2 Storage Shelf
- 3 10 Pocket Document Holder (A4)
- 4 A4/A3 Instruction Card Holder
- 5 Overhead Light Unit
- 6 Flatscreen Monitor Holder
- 7 ESD Bracket
- 8 Bottle Holder
- 9 Keyboard Drawer
- 10 Back Panel
- 11 Ergonomical Chair
- 12 Ø100mm Wheel Castors
- 13 PC Shelf

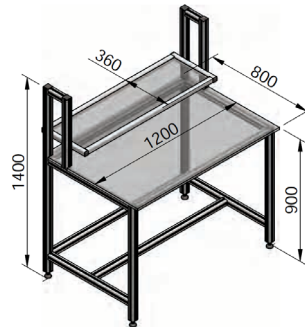
# Benchtop

## Size 1200x800mm



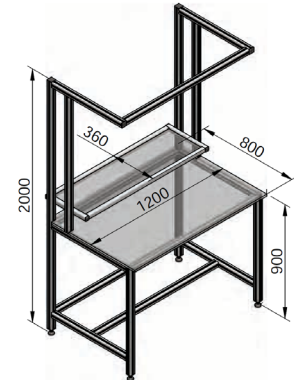
Part No. H100-128:

- Aluminium frame
- Four levelling feet
- Bench top size: 1200x800
- 16mm MDF melamine Board, square edge, silver grey



Part No. H200-128:

- Aluminium frame
- Four levelling feet
- Bench top size: 1200x800
- 16mm MDF melamine Board, square edged, silver grey
- Adjustable storage shelf



Part No. H400-128:

- Aluminium frame
- Four levelling feet
- Bench top size: 1200x800
- 16mm MDF melamine Board, square edged, silver grey
- Adjustable storage shelf
- Overhead tool hanger bar

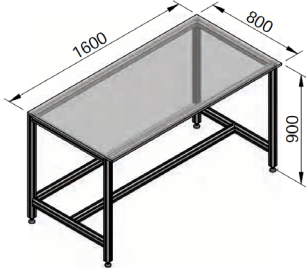


### Accessories:

- 1 Electrical Duct
- 2 Storage Shelf
- 3 10 Pocket Document Holder (A4)
- 4 A4/A3 Instruction Card Holder
- 5 Bin Rail Holder
- 6 Adjustable Return Shute
- 7 Adjustable Foot Rest
- 8 Ergonomical Chair
- 9 Ø100mm Wheel Castors

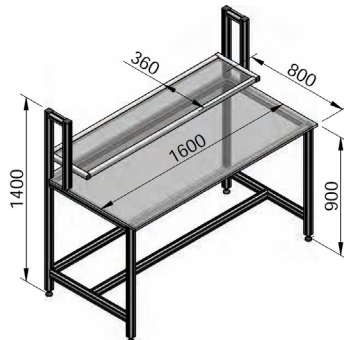
# Benchtop

## Size 1600x800mm



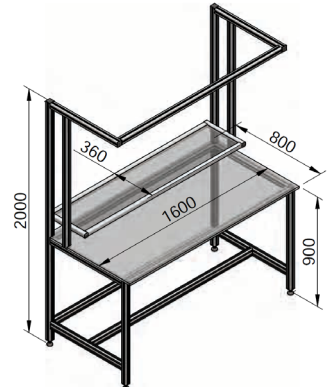
Part No. H100-168:

- Aluminium frame
- Four levelling feet
- Bench top size: 1600x800
- 16mm MDF melamine Board, square edge, silver grey



Part No. H200-168:

- Aluminium frame
- Four levelling feet
- Bench top size: 1600x800
- 16mm MDF melamine Board, square edged, silver grey
- Adjustable storage shelf



Part No. H400-168:

- Aluminium frame
- Four levelling feet
- Bench top size: 1600x800
- 16mm MDF melamine Board, square edged, silver grey
- Adjustable storage shelf
- Overhead tool hanger bar



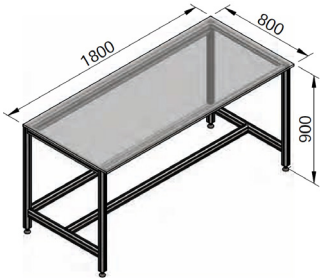
### Accessories:

- 1 Lockable Tool Drawer
- 2 Electrical Duct
- 3 10 Pocket Document Holder (A4)
- 4 Overhead Light Unit
- 5 Adjustable Storage Shelf
- 6 Adjustable Monitor Arm
- 7 Ergonomical Chair
- 8 Adjustable Foot Rest
- 9 PC Holder Shelf
- 9 Ø100mm Wheel Castors



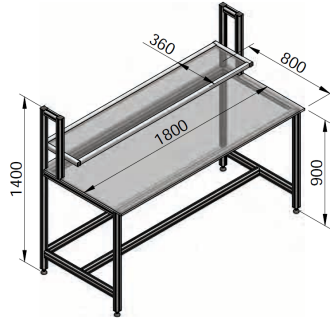
# Benchtop

## Size 1800x800mm



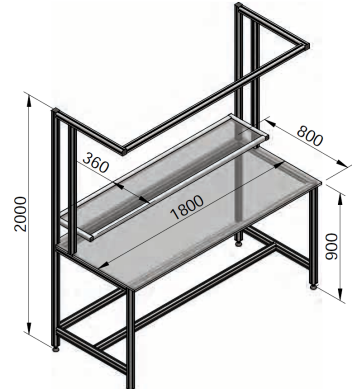
Part No. H100-188:

- Aluminium frame
- Four levelling feet
- Bench top size: 1800x800
- 16mm MDF melamine Board, square edge, silver grey



Part No. H200-188:

- Aluminium frame
- Four levelling feet
- Bench top size: 1800x800
- 16mm MDF melamine Board, square edged, silver grey
- Adjustable storage shelf



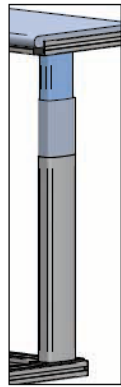
Part No. H400-188:

- Aluminium frame
- Four levelling feet
- Bench top size: 1800x800
- 16mm MDF melamine Board, square edged, silver grey
- Adjustable storage shelf
- Overhead tool hanger bar

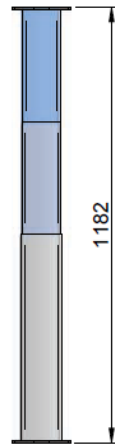
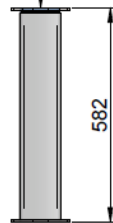


### Accessories:

- 1 Cupboard with sliding Doors
- 2 Electrical Duct
- 3 Adjustable Storage Shelf
- 4 Overhead Light Unit
- 5 Ergonomical Chair
- 6 Ø100mm Wheel Castors



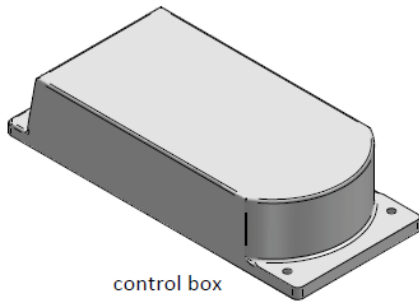
max 80kg



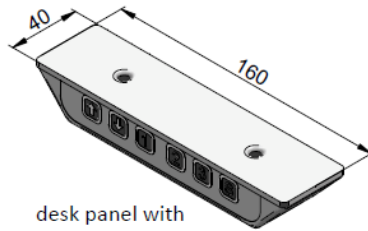
### DL4 electric actuator

installation height: 582mm  
(including endplates)  
max stroke: 600mm  
lift capacity: 80kg  
max speed: 43mm/sec  
duty cycle: 10%  
colour: black or grey

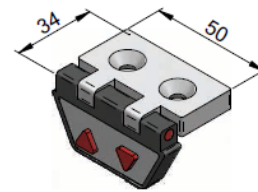
**endplates for actuators**  
1x top plate, 1x bottom plate  
material: 6mm steel,  
black powdercoated



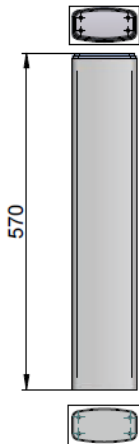
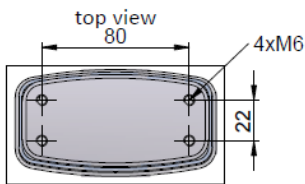
control box



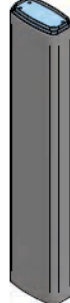
desk panel with  
memory function



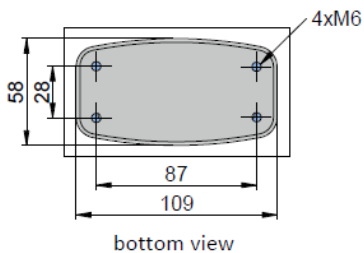
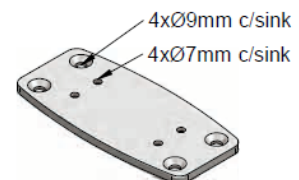
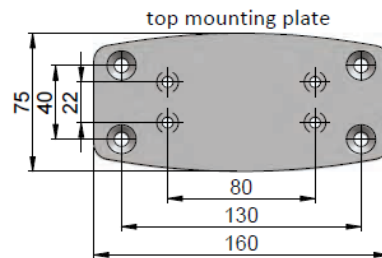
desk panel



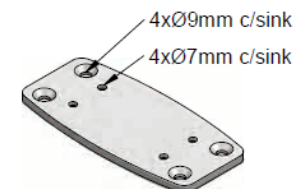
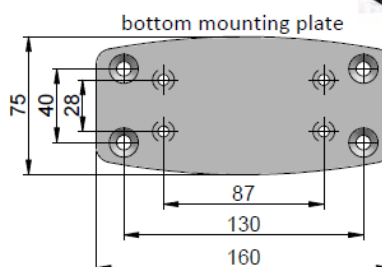
actuator  
without endplates



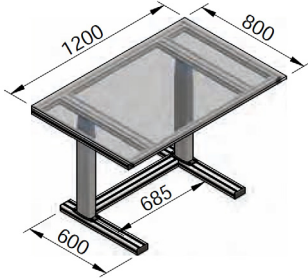
actuator  
with endplates



bottom view

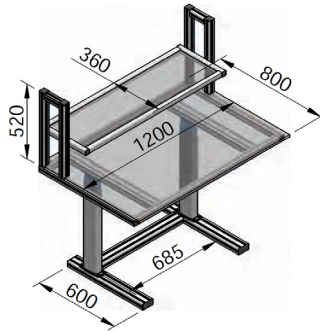


# Electric Benchtop Size 1200x800mm



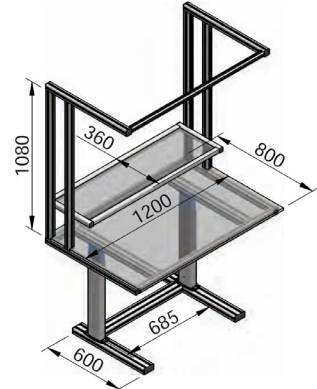
Part No. H500-128:

- Aluminium frame
- Electric height adjustment height range 680-1200mm, lifting capacity: 160kg, speed 43mm/sec
- Bench top size: 1200x800
- 16mm MDF melamine Board, square edge, silver grey



Part No. H700-128:

- Aluminium frame
- Electric height adjustment height range 680-1200mm, lifting capacity: 160kg, speed 43mm/sec
- Bench top size: 1200x800
- 16mm MDF melamine Board, square edged, silver grey
- Adjustable storage shelf



Part No. H800-128:

- Aluminium frame
- Electric height adjustment height range 680-1200mm, lifting capacity: 160kg, speed 43mm/sec
- Bench top size: 1200x800
- 16mm MDF melamine Board, square edged, silver grey
- Adjustable storage shelf
- Overhead tool hanger bar

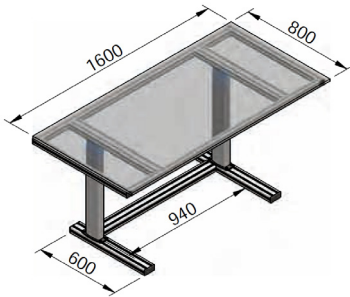


## Accessories:

- 1 Overhead Light Unit
- 2 Storage Shelf
- 3 10 Pocket Document Holder (A4)
- 4 Electric Duct
- 5 Keyboard Drawer
- 6 Adjustable Foot Rest
- 7 PC Holder Shelf
- 8 Ergonomical Chair

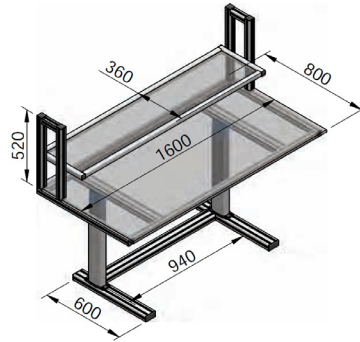


# Electric Benchtop Size 1600x800mm



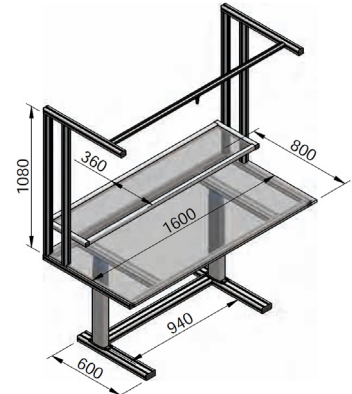
Part No. H500-168:

- Aluminium frame
- Electric height adjustment height range 680-1200mm, lifting capacity: 160kg, speed 43mm/sec
- Bench top size: 1600x800
- 16mm MDF melamine Board, square edge, silver grey



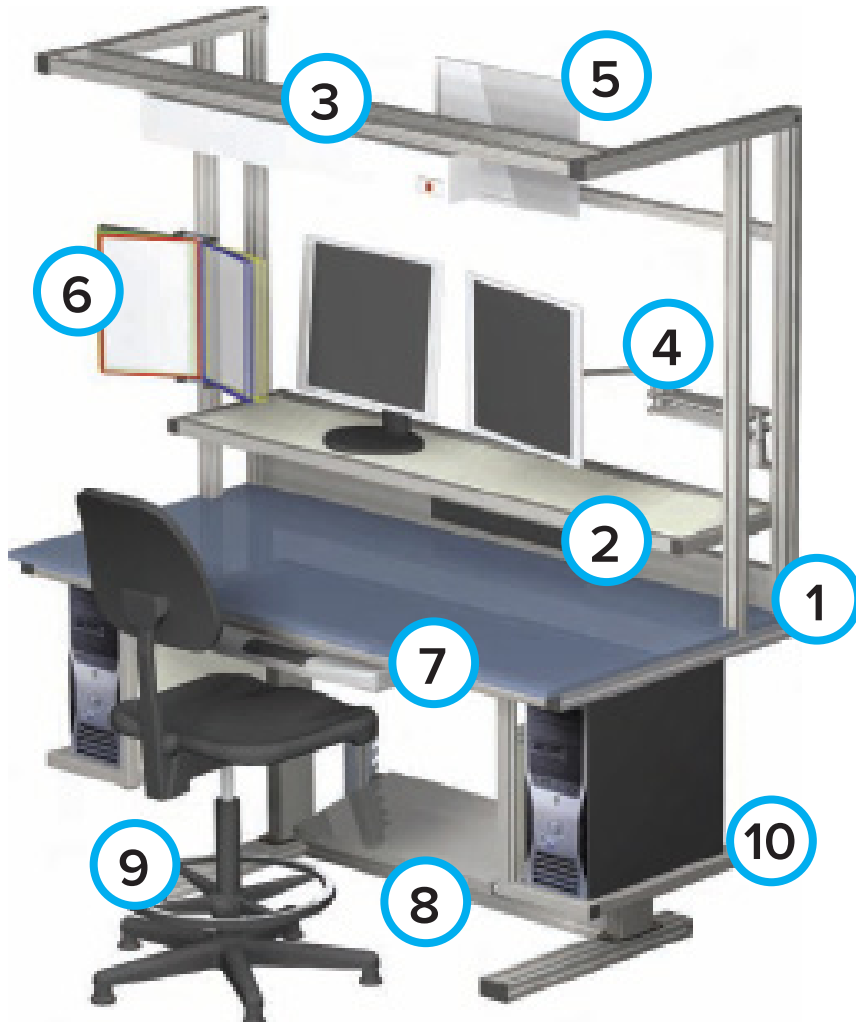
Part No. H700-168:

- Aluminium frame
- Electric height adjustment height range 680-1200mm, lifting capacity: 160kg, speed 43mm/sec
- Bench top size: 1600x800
- 16mm MDF melamine Board, square edged, silver grey
- Adjustable storage shelf



Part No. H800-168:

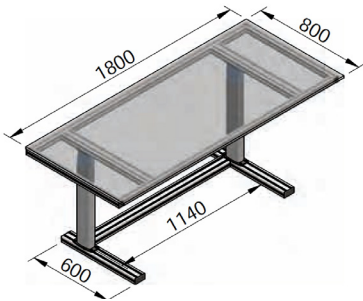
- Aluminium frame
- Electric height adjustment height range 680-1200mm, lifting capacity: 160kg, speed 43mm/sec
- Bench top size: 1600x800
- 16mm MDF melamine Board, square edged, silver grey
- Adjustable storage shelf
- Overhead tool hanger bar



## Accessories:

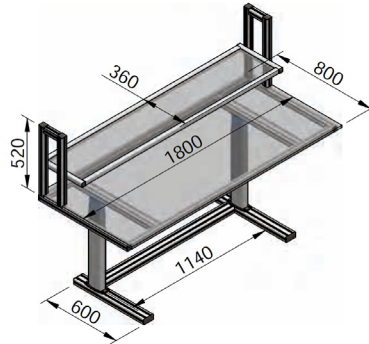
- 1 Electrical Duct
- 2 Adjustable Storage Shelf
- 3 Overhead Light Unit
- 4 Adjustable Monitor Arm
- 5 Instruction Card Holder A3
- 6 10 Pocket Document Holder (A4)
- 7 Keyboard Drawer
- 8 Adjustable Foot Rest
- 9 Ergonomical Chair
- 10 PC Holder Shelf

# Electric Benchtop Size 1800x800mm



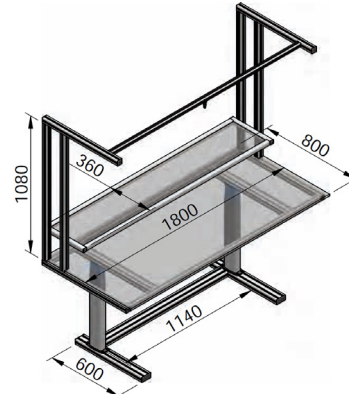
Part No. H500-188:

- Aluminium frame
- Electric height adjustment height range 680-1200mm, lifting capacity: 160kg, speed 43mm/sec
- Bench top size: 1800x800
- 16mm MDF melamine Board, square edge, silver grey



Part No. H700-188:

- Aluminium frame
- Electric height adjustment height range 680-1200mm, lifting capacity: 160kg, speed 43mm/sec
- Bench top size: 1800x800
- 16mm MDF melamine Board, square edged, silver grey
- Adjustable storage shelf



Part No. H800-188:

- Aluminium frame
- Electric height adjustment height range 680-1200mm, lifting capacity: 160kg, speed 43mm/sec
- Bench top size: 1800x800
- 16mm MDF melamine Board, square edged, silver grey
- Adjustable storage shelf
- Overhead tool hanger bar



#### Accessories:

- 1 Electrical Duct
- 2 Adjustable Storage Shelf
- 3 Adjustable Monitor Arm
- 4 Overhead Light Unit
- 5 10 Pocket Document Holder (A4)
- 6 Keyboard Drawer
- 7 Adjustable Foot Rest
- 8 Ergonomical Chair
- 9 PC Holder Shelf

For more Information  
call us on 1800 091 109  
or send an E-Mail to  
[sales@henchman.com.au](mailto:sales@henchman.com.au)